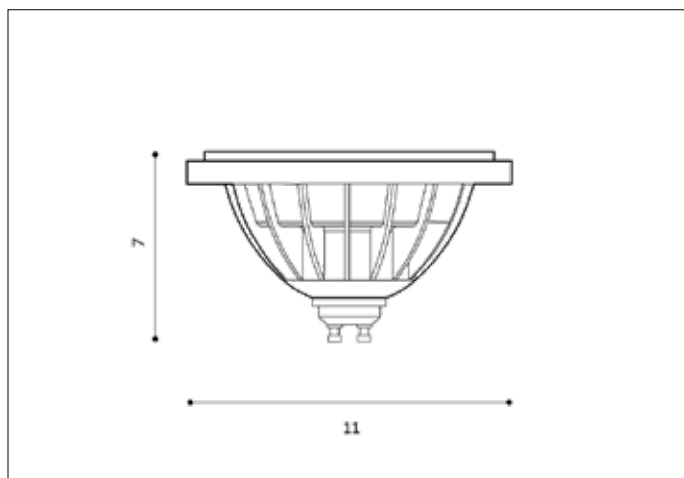




AZZARDO LED 15W ES111 WH DIMM 4300 LL210152
AZ1877, EAN 5901238418771



Dimensions height / width / length [cm] Product Specifications

Product	7 x 11 x N/A
Mounting inlet:	N/A x N/A x N/A
Ceiling base:	N/A x N/A x N/A
Shades	N/A x N/A x N/A

Line	TECHNICAL
Type	Bulb
Type of track	N/A
Colour	White
Material	PC / Metal
Light source	1
Type of socket	ES111 ~ GU10
Lumens	1150
Kelvins	4000
Beam angle	45°
Dimmable	YES
CCT	N/A
RGB	N/A
RA	? 80
App remote control	N/A
Remote control	N/A
Voltage	230V
Power	max LED 15W
Switch location	N/A
Protection class	N/A
Tilt	N/A
Rotation	N/A

Shipping info height / width / length [cm]

BOX 1:	8 x 12 x 12
BOX 2:	N/A x N/A x N/A
BOX 3:	N/A x N/A x N/A
Net weight [kg]	0,23
Gross weight [kg]	0,25

Energy efficiency



Azzardo Sp. z o.o.
ul. Strzeszyńska 33 60-479 Poznań,
NIP: 929-185-75-07

www.azzardolighting.com